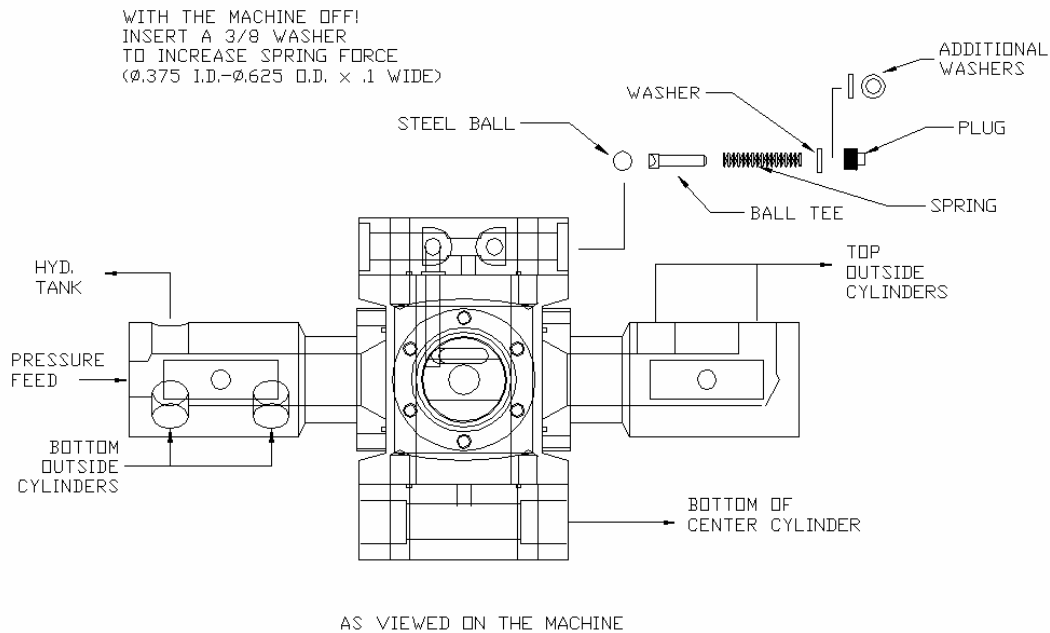


Sequence Valve, Control Pressure Shim



Installation Instructions

The Sequence Valve is a hydraulically operated valve located in the center of the top cross member on the operator's side. The purpose of the valve is to supply oil flow to the center cylinder only during opening and closing of the jaw and supply pressure to all three cylinders during the cutting stroke. This feature is designed to increase the speed of the jaw during loading cycles.

Diagnosis

If your machine seems to be running slow during loading cycles but has normal cutting pressure. The Sequence Valve may be out of adjustment. Inserting a shim will increase the spring force behind the check ball causing the ball to remain seated until a higher system pressure is reached.

Procedures

- 1) The **machine should be off** with the jaw in the fully extended position. The valve is full of hydraulic oil and some spillage will occur, you will want to have some rags or a drain pan handy.
- 2) Facing the machine on the operators side , you will find the sequence valve on the top center of the machine. (It's the thing that all the hoses are connected to.)
- 3) On the Top Right side of the valve you will find a 1/2" square head plug . (see illustration.) Remove the plug. Be careful not to loose the washer, spacer, spring or the check ball.
- 4) Add an additional 3/8" washer (.375 I.D. , .625 O.D., .075-.1 THK.) behind the plug and reinstall the plug.