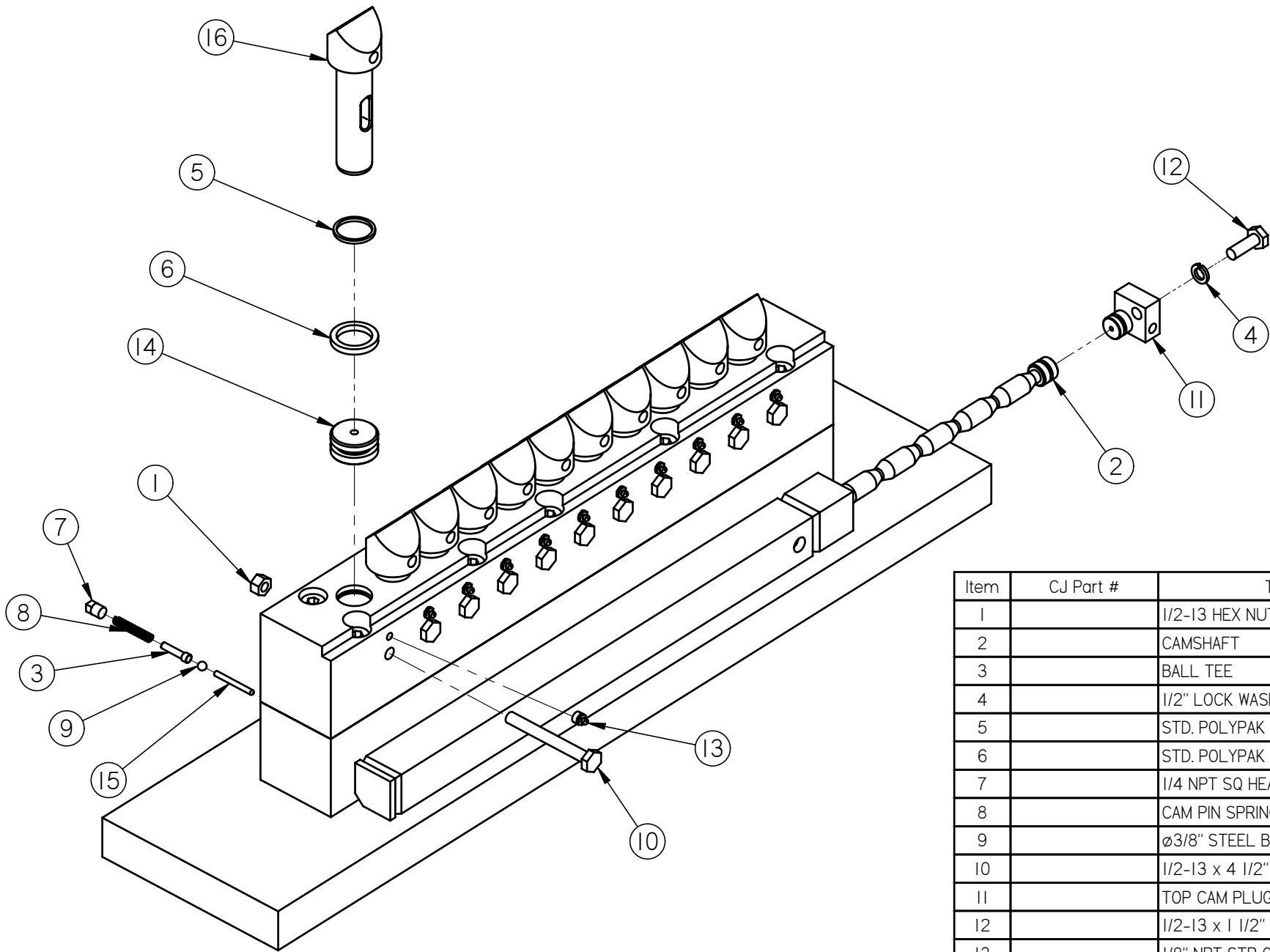


## FIXING A TOOTH THAT WILL NOT LOCK

CEE-JAY TOOL COMPANY, INC.

1-800-350-9313

1. Push all of the air out of the teeth. Do this by unlocking all of the teeth then pushing them down one set at a time starting with the set farthest from the operator. Use a 2x6 wood board between top and bottom teeth and bring the top jaw down until the tooth heads touch the bars. Make sure the bars are clear of potentially damaging debris.
2. If this does not solve your problem go to step three.
3. Check to see if the piston is stuck in the bore. Do this by removing the bolt holding the tooth in, removing the tooth, then extending the teeth. Push a tape measure up into the bore until it stops. It should measure 6 inches. If not, the piston is stuck, call us for more directions. If so, move to step 4.
4. Unlock all of the teeth and turn the power off to the cutter.
5. Remove the square headed plug associated with the tooth that will not lock. Be ready for up to a few gallons of hydraulic oil to slowly come out of the hole.
6. Using a magnet, remove the parts in the hole. Refer to the next drawing for a view of the parts.
7. Check the parts for damage. If they are damaged, call us and we can send you replacements. Let us know which machine it is so we send you the right parts.
8. If all of the parts are ok or mildly worn clean the hole out.
9. Reseat the check ball. Do this by only inserting the ball into the hole. Take a long thin bolt and put the end against the ball. Give the bolt a 10 lb tap on the head. This will smooth out any bumps on the ball seat. Too hard and you will damage the seat and the ball will stick!
10. Remove the ball, then re-insert all of the parts in the order shown in the drawing on the next page. Put fresh teflon tape on the square headed plug and re-install. Try out the cutter to see if this fixed the tooth.



Item	CJ Part #	Title
1		1/2-13 HEX NUT
2		CAMSHAFT
3		BALL TEE
4		1/2" LOCK WASHER
5		STD. POLYPAK
6		STD. POLYPAK
7		1/4 NPT SQ HEAD PLUG
8		CAM PIN SPRING
9		ø3/8" STEEL BALL
10		1/2-13 x 4 1/2" HHCS
11		TOP CAM PLUG
12		1/2-13 x 1 1/2" HHCS
13		1/8" NPT STR GREASE ZERK
14		2" PISTON, POLYPAK
15		CAM LOCKING PIN
16		ø2" TOOTH, 1" STROKE