

# Wiper Seal Installation

- 1) The Wiper seal is located 1/4" from the top of the tooth bar. The tooth will need to be removed from the bar by removing the 5/8" bolt and pulling the tooth out of the hole. Clean any rock and grit from the bar and Extend and lock the teeth before removing the bolts. This will prevent any dirt from getting down into the piston bar holes and scouring the hydraulic cylinder walls. Pry out the old Poly-Pak with a pick or small flat bladed screwdriver. Clean the tooth hole dry rag to remove any old grease.
- 2) Seal Part numbers:  
If you have 3" diameter teeth the seal is a Parker 1250-2500 standard Poly-Pak.  
If you have 2" diameter teeth the seal is a Parker 1250-1500 standard Poly-Pak.
- 3) The Seal is installed with the O-ring facing out as shown in Detail A of Figure 1.

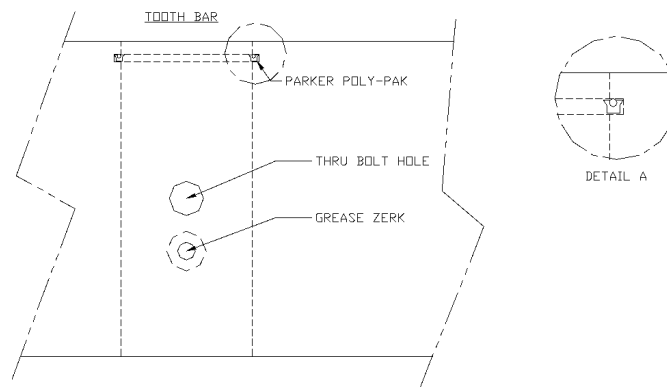
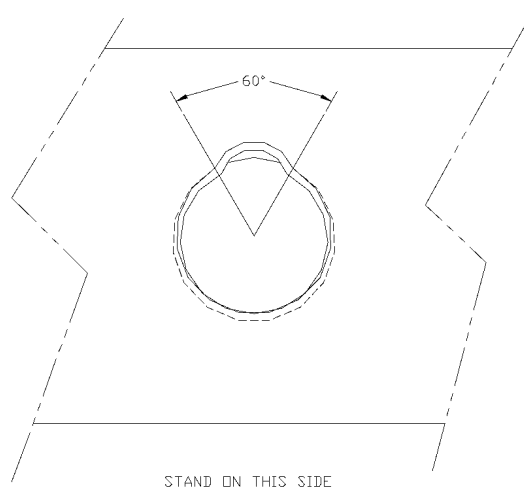
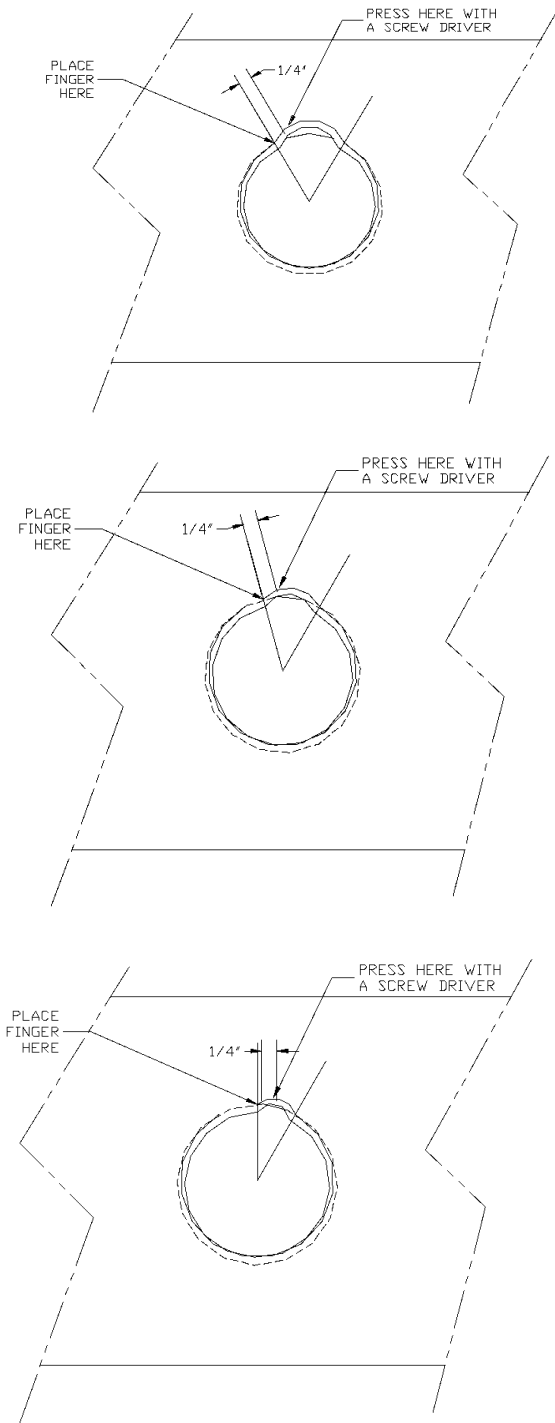


Figure 1

- 4) It will help if the seals are warm, this will make them more flexible. You will also need a small flat bladed screwdriver or some other flat tool with a dull edge so that you don't cut the seal during installation.
- 5) Start by placing the Poly-Pak into the groove leaving a loop as shown in figure 2.



6) Place your finger on one side of the loop and press straight towards the center of the hole with the screw driver about 1/4" away from your finger. Continue to work the seal around in 1/4" increments until it pops into the hole. Check to see if the seal has a roll or a twist in it and adjust it as necessary.



7) Apply some grease to the seal after installation and before reinstalling the tooth into the hole. Make sure the teeth are extended and locked and apply grease to the grease zerk until back pressure is felt at the gun. (15-30 pumps)